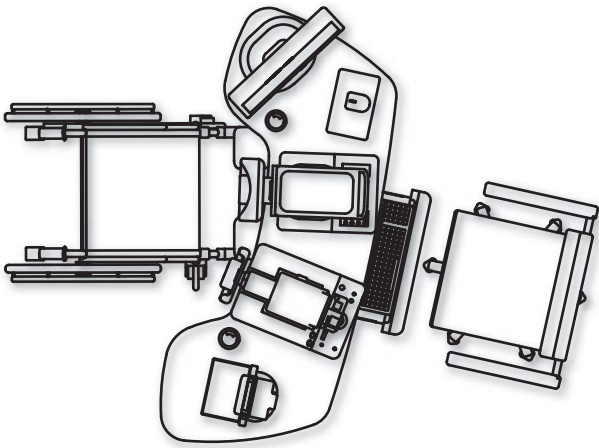


dual-tables for easy wheelchair access

b o n T-60 and T-61



With extra strong and quiet high adjustment.



bon T-60 and T-61 dual-tables for easy wheelchair access



- suitable for 2 large instruments
- 2 power sockets prepared underneath the table top
- cable guidance and outlets to avoid wire mess
- electromotorized height adjustment from 65 to 90 cm
- two synchronized columns lifting up to 150 kg
- retractable holder for computer keyboard
- optional pc holder
- adjustable levelling feet
- colour of table top can be chosen from RAL-colour chart or real wood



▽ *bon T-60*



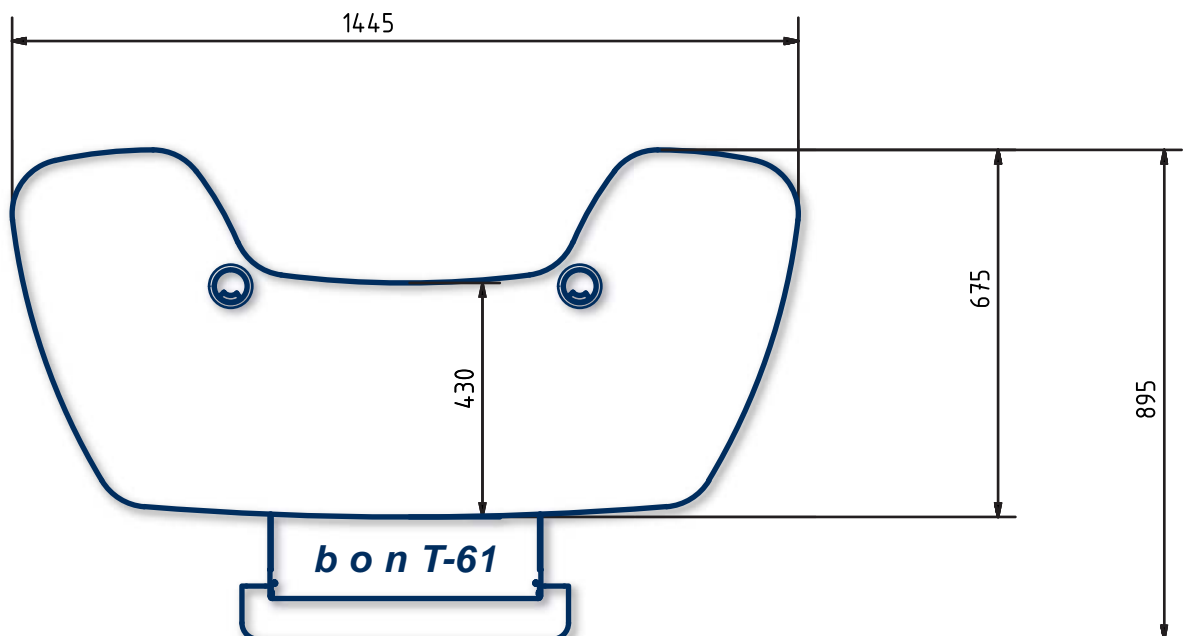
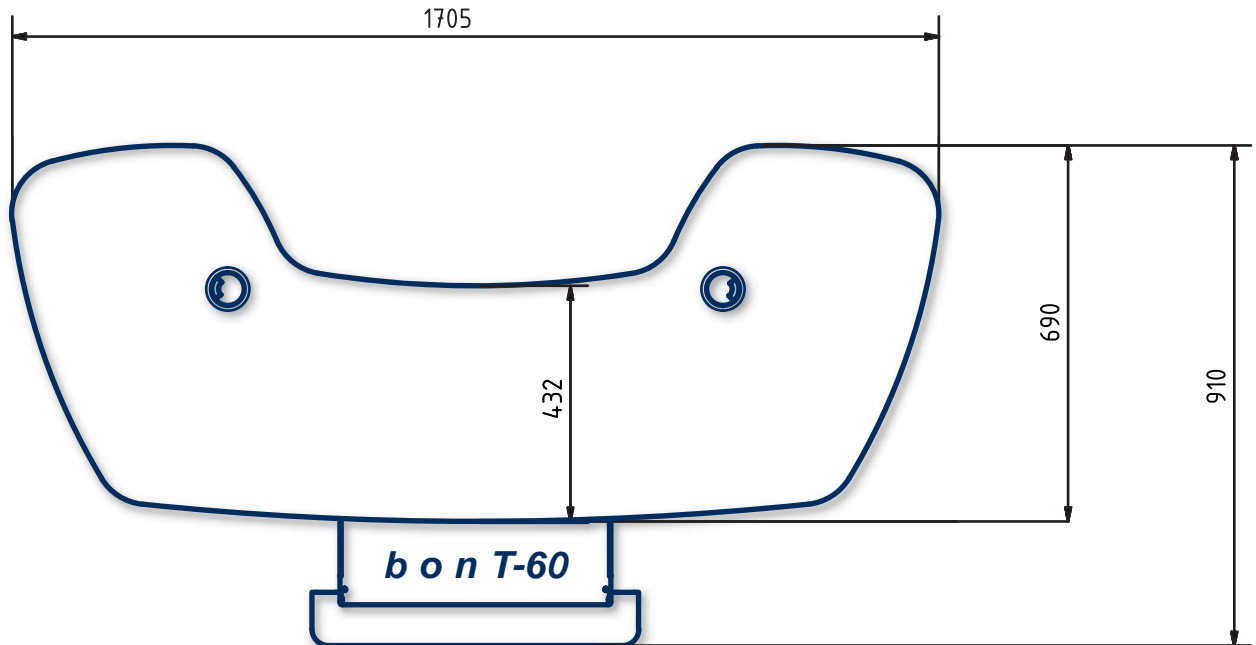
▽ *bon T-61*



△ *bon T-60*

△ *bon T-61*

Dimensions T-60 / T-61



Specifications, design and equipment are subject to change without any notice or obligation on the part of the manufacturer.