

## Instrument Tables



T-34



T-37



T-33



T-39



T-38



T-40

### Specifications

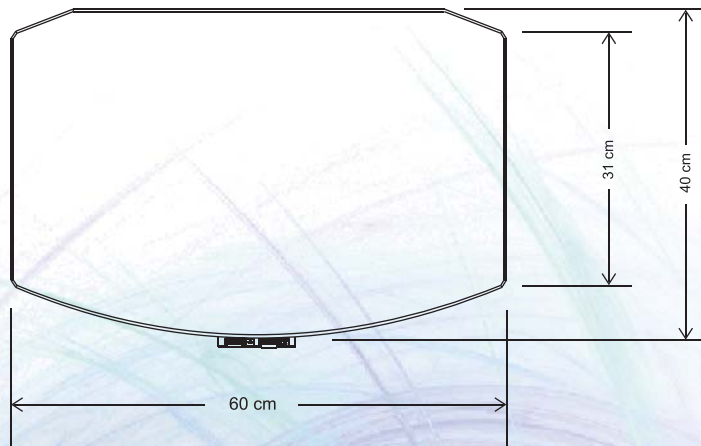
height adjustment range: 660 mm to 860 mm  
 elevation speed: 17 mm/s  
 lift power: 1500 N  
 voltage: 230 V / 50 Hz  
 gross weight T-33, T-34, T-37, T-38: 30 kg

**T-34, T-37, T-40:** high quality beech wooden table top, high grade steel base with a textured surface

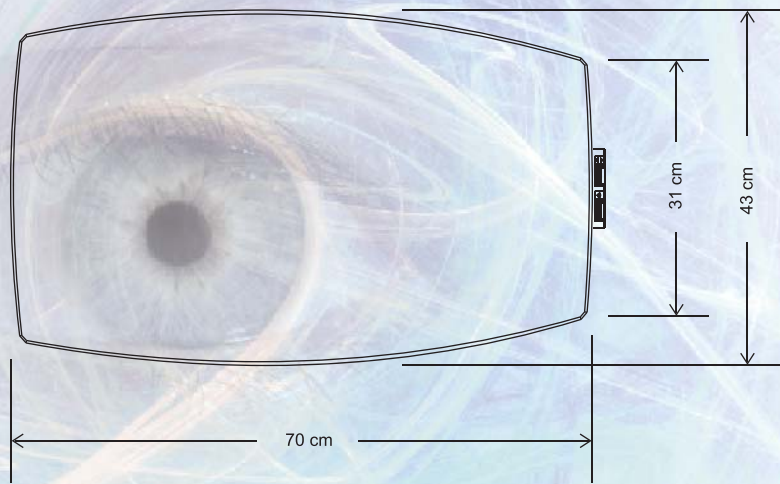
**T-33, T-38, T-39:** light grey laquered table top, black painted base made of sheet steel

The electrical height adjustment is engineered to offer smooth, silent and precise control. The tables are also available with castors. Compact package design allows economic shipment.

**T-33/34**



**T-37/38**



**T-39/40**

