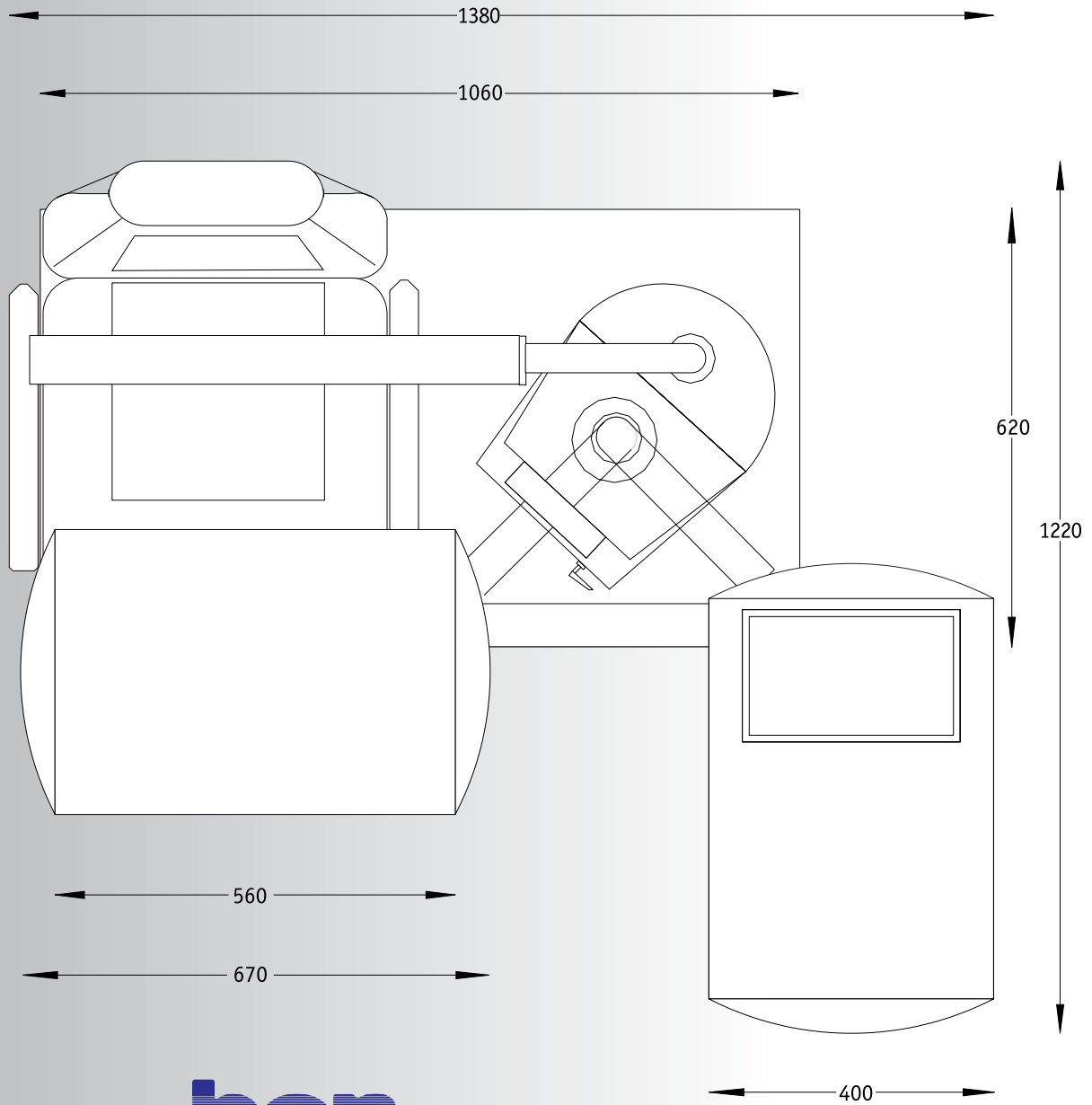


**SMALL OPHTHALMIC UNIT****E-5****bon**

- Small beautiful ophthalmic unit for refraction and slit-lamp examinations
- 2 cord handles can be supplied
- Turnable patient chair, electrically driven
- Also available without table and phoropter arm

## DIMENSIONS



## Technical information

Input tension:	220 V / 50 Hz 110 V / 60 Hz
Power:	990 VA
Lamp Power:	15 W
Table height:	900 mm
Maximum height:	2000 mm
Chair:	
upward movement:	180 mm
minimum height from the ground:	550 mm
Counterbalanced arm:	
Upward movement:	640 mm
Rotation:	360°

Specifications, design and equipment are subject to change without any notice or obligation on the part of the manufacturer.

**QUALITÄTS-  
MANAGEMENT**  
Wir sind zertifiziert  
Regelmäßige freiwillige  
Überwachung nach ISO 9001

