

Refraction Stand
E-60



The E60 - Where simplicity meets design.

The very compact but simplistic E60 is a result of **your feedback**. Many of you requested a small unit with limited features that was nonetheless stylish in design.

Ideal as a second unit in a large practice or where space or budget are an issue the E60 gives you the benefit of a classic **designer look** in a compact format.

The E60 does not however cut corners in terms of quality. The solid metal frame gives this most compact of units a **solidity and robustness** that you simply do not find in other compact units.



Refraction Stand bon E-60

Flexible.

The projector column and phoropter arm can be height adapted to accommodate your phoropter of choice manual or automatic.

A classic AO arm can be supplied as an option.

Special adaptors which are colour matched and in keeping with the unit design enable us to fit any phoropter or projector.



Patient comfort.

The E60 has a slimline plinth, ensuring easy access for all your patients.

The patient chair is designed to accommodate the more corpulent of patients .

The extensive travel on the chair height adjustment ensure you can test children without the need of an extra cushion.

The sitting to standing position has been exactly calculated to ensure ease when sitting down and standing up. - especially helpful for elderly patients



Compact but versatile.

The E60 has a manual double sliding table which will accommodate two instruments.

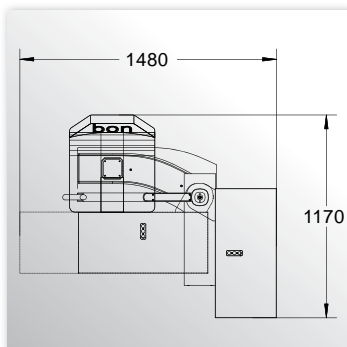


Stylish.

The E60 is available in a graphite grey with matching chair upholstery. It's modern design will inject a buzz into any testing room.

Safe.

The designed in safety feature means that no safety off switch is required.



Small foot print.

The E60 is among the most compact units available.